

LX605

Classrooms
Conference rooms
Houses of worship
Small auditoriums
Training rooms
Rental staging



Versatility. Performance. Dependability.

And don't forget brightness... at 6000 ANSI lumens the Christie LX605 is the ideal projector for a wide variety of medium to large venue presentations. The Christie LX605 has been designed for easy set-up, high performance, and use in a myriad of installation applications since it is capable of accepting a wide range of sources.

A new four-corner geometry correction tool, 3D Keystone™ technology, puts professional capabilities at your fingertips; quickly overcome installation challenges that can not be corrected by standard digital keystone adjustments. The LX605 has a center lens design with motorized lens shift for easy set-up and ships with a standard lens. A suite of four bayonet style lenses are available options.

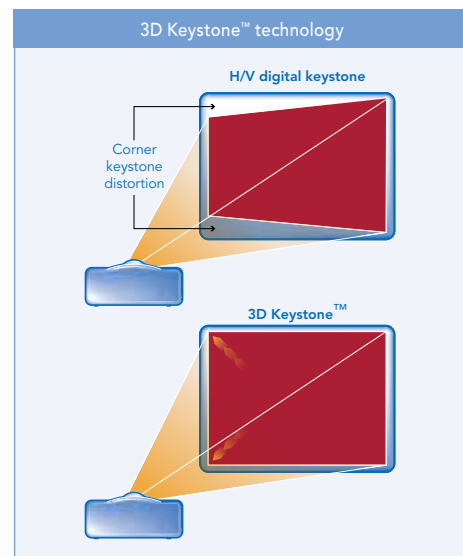
For quality and dependability the Christie LX605 offers the benefits of long-life inorganic 3LCD technology and 10-bit video processing. These inorganic panels have been designed for improved lifetime performance over conventional 3LCD panels. With a 1000:1 contrast ratio and 10-bit video processing, the Christie LX605 produces natural, smooth color tone to ensure picture stability and flawless video playback... a quality image every time.

With all these great features and Christie's known quality and dependability, the Christie LX605 is sure to become your new LCD standard.

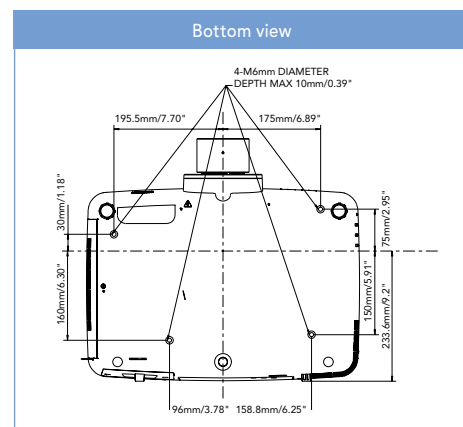
CHRISTIE®

		LX605 (103-027100-01)
Image	brightness	• 6000 ANSI lumens
	contrast	• 1000:1 (full on/off)
	uniformity	• 90% brightness uniformity (corner to corner)
Display technology	type	• 3-chip 0.8" Polysilicon TFT active matrix type LCD – Inorganic
	native resolution	• XGA (1024 x 768)
Lamp	type	• Single 330W NSHA
	typical life	• Normal mode: up to 2000hr • Eco mode: up to 3000hr
Input	signals	• UXGA, WXGA, SXGA+, SXGA, XGA, SVGA, VGA, MAC • HDTV formats (720p, 1035i, 1080i, 1080p)
	pixel clock	• 140MHz (analog) / 162MHz (digital)
	scan rates	• Horizontal frequency range 15-100kHz • Vertical frequency range 48-100Hz
Inputs, control and networking	input	• Input 1: DVI-D x 1 (HDCP) • D-Sub15x1 • Input 2: 5-BNC (R, G, B, H, V & Y, Pb/Cb, Pr/Cr & Composite) • Input 3: S-video – Mini DIN 4-pin • RCA x 3 (Video/Y, Pb/Cb, Pr/Cr) • Audio In – Mini jack x 2 (1, 2) (stereo) • RCA x 2 (R, L-mono) • Control port – Dsub-9 x 1 • R/C Jack – Mini jack x 1 (wired remote) • RJ45 LAN x 1
	output	• D-Sub15 (Monitor out) x 1, Audio out – Mini jack x 1 (stereo)
Optical system		• Motorized zoom, focus and lens shift • Vertical and Horizontal lens shift*
Lenses	fixed	• Short 0.8:1 (103-124108-XX)
	zoom	• Ships with standard lens – Standard 1.70-2.89:1 (103-126100-XX) • Short 1.25-1.70:1 (103-125109-XX) • Long 2.89-4.60:1 (103-127101-XX) • Long 4.60-7.36:1 (103-128102-XX)
	offsets	• Horizontal 50%* • Vertical 10%*
Accessories	standard	• Quick set-up manual • PIN code Label Registration card • UL cable card • Lens adaptor • Power cord-AC cord UL type (NEMA 6-20P plug type) • AC cord (European 2P plug type) • Computer cable (Dsub15) • Users Manual (CD-ROM) • Remote control • Lens mount cover • Lens anti-theft screw • USB Cable
	optional	• CCM-LX for enhanced network options (103-115108-XX) • AutoFilter cartridge (003-003084-XX) • Replacement lamp (003-120507-XX)
Enhanced feature sets		• 10-bit image processing • Top loading lamp • 1-button quick lens release • Digital keystone h/v and 3D Keystone™ technology • Easy menu navigation • Up to 13,000 hour AutoFilter • Inorganic 3LCD • 360 degree on axis rotation • Built-in – RJ45 • Expansion port for advanced networking module (CCM-LX) • Customized logo capture
Power requirements	operating voltage	• 100-120 VAC ±10% • 200-240 VAC ±10%
	operating current	• In rush: 30A (AC100V); 60A (AC276V) • Current: 5.2A (AC100V); 2.5A (AC200V)
	power	• 490W max
	dissipation	• 1365 BTU/hr max
Dimensions	size	• Body with lens (LxWxH): 19.27 x 6.50 x 17.24" (489.5 x 164.0 x 438.0mm)
	weight	• 21.4lbs (9.7kg) with lens
	shipping weight	• 34.8lbs (15.8kg)
	shipping size	• (LxWxH): 26.81 x 12.52 x 22.90" (681.0 x 318.0 x 581.0mm)
Noise		• Standard mode: 38dBA • Eco mode: 31dBA
Operating environment		• Operating temperature: 41-104°F (5-40°C)
		• Storage temperature: 14-140°F (-10-60°C)
		• Humidity (non-condensing): 20-80%
		• Altitude: 0-8858ft (0-2700m)
Regulatory approvals		This product conforms to the following regulations related to product safety, environmental requirements and electromagnetic compatibility (EMC): • FCC Part 15, Subpart B Class B • CISPR22/EN55022 • CISPR24/EN55024 • UL 60950-1 first edition • IEC60950-1:2001 • 2002/95/EC RoHS
Limited warranty	projector	• 3 years parts and labor
	lamp	• 500 hrs or 120 days (whichever comes first) • Contact an authorized Christie representative for full details of our limited warranty

Performance specifications are typical and are subject to change
* Actual range depends on lens used



▲ Utilizing 3D Keystone™ technology, a new four-corner geometry correction tool, you can quickly and easily align your image even in the most challenging environments.



Corporate offices

Christie Digital Systems USA, Inc
USA – Cypress
ph: 714 236 8610
Christie Digital Systems Canada, Inc.
Canada – Kitchener
ph: 519 744 8005

Independent sales consultant offices

Spain
ph: +34 91 633 9990
Italy
ph: +39 (0) 2 9902 1161
South Africa
ph: +27 (0) 317 671 347

Worldwide offices

United Kingdom
ph: +44 118977 8000
Germany
ph: +49 2161 664540
France
ph: +33 (0) 1 41 21 44 04
Eastern Europe and Russian Federation
ph: +36 (0) 1 47 48 100
Dubai (United Arab Emirates)
ph: +971 (0) 4 299 7575
India
ph: +080 41468941 – 48
Singapore
ph: +65 6877 8737
China (Shanghai)
ph: +86 21 6278 7708
China (Beijing)
ph: +86 10 6561 0240
Japan (Tokyo)
ph: +81 3 3599 7481

