

# LWU505

Corporate AV  
Government  
Higher education  
Houses of worship  
Live events



## Image clarity, quality and HD widescreen resolution

The Christie LWU505 is one of the highest resolution projectors in the 5000 lumen LCD market today. Suitable for data and video presentations, it offers WUXGA (1920 x 1200) resolution and is packed with additional features. It's an ideal choice for small to large sized applications – corporate AV, higher education, houses of worship – any organization requiring a high definition widescreen projector in the 5000 ANSI lumens range. For larger applications, the Christie LWU505 can be stacked to increase brightness up to 10,000 ANSI lumens.

Long-life optical components and AutoFilter provide increased reliability, ensure worry-free presentations and make this projector easy to maintain. The motorized lens shift, zoom and focus, 3D Keystone™ technology and center lens design allow for quick and easy set-up. The 3D Keystone technology is a four-corner geometry correction feature that gives you even more display options since it allows for quick and easy image alignment on a variety of screen sizes, as well as simple curved screen displays. The Christie LWU505 uses the same

suite of optional lenses compatible with the Christie LX505, Christie LX605 and the Christie LW555 which enables easy integration with these other projectors, and ensures a lower cost of ownership.

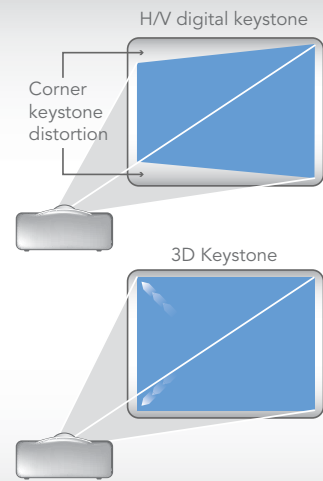
This compact, lightweight projector is packed full of premium features, at an affordable price, and backed by Christie's industry-leading warranties, service and support.

**CHRISTIE®**

LWU505 (103-030104-01)		
Image	brightness	• 5000 ANSI lumens
	contrast	• 2000:1 (full on/off)
	uniformity	• 80% brightness uniformity (corner to corner)
Display technology	type	• 3 x 0.76" Polysilicon TFT active matrix type LCD panel – Inorganic
	native resolution	• WUXGA (1920 x 1200)
Lamp	type	• Single 330W NSHA
	typical life	• Normal mode: up to 2000hr • Eco mode: up to 3000hr
Input	signals	• WUXGA, WXGA, SXGA+, SXGA, XGA, SVGA, VGA, MAC • HDTV formats (720p, 1035i, 1080i, 1080p)
	pixel clock	• 162 MHz (analog)/162 MHz (digital)
	scan rates	• Horizontal frequency range 15-120kHz • Vertical frequency range 48-100Hz
	inputs/outputs, control and networking	• Input1: DVI-D x 1 (HDCP), D-Sub15 x 1, HDMI x 1 • Input 2: 5-BNC (R, G, B, H, V & Y, Pb/Cb, Pr/Cr & Composite) • Input 3: S-video – Mini DIN 4-pin • RCA x 3 (Video/Y, Pb/Cb, Pr/Cr) • Audio In – Mini jack x 2 (1, 2) (stereo) • RCA x 2 (R, L-mono) • Control port Dsub-9 x 1 • R/C Jack – Mini jack x 1 (wired remote) • RJ45 LAN x 1
output	• D-Sub15 (Monitor out) x 1 • Audio out – Mini jack x 1 (stereo)	
Optical system	• Motorized zoom, focus and lens shift • Vertical and Horizontal lens shift <sup>1</sup>	
Lenses	fixed	• Short 0.8:1 (103-124108-XX)
	zoom	• Ships with standard lens – Standard 1.70-2.89:1 (103-126100-XX) • Short 1.25-1.70:1 (103-125109-XX) • Long 2.89-4.60:1 (103-127101-XX) • Long 4.60-7.36:1 (103-128102-XX)
	digital keystone	• Vertical: ±30 degrees • Horizontal: ±30 degrees
	Accessories	standard
optional	• CCM-LX for enhanced network options (103-115108-XX) • AutoFilter cartridge (003-003084-XX) • Replacement lamp (003-120507-XX)	
Enhanced feature sets	• 10-bit image processing • Top loading lamp • 1-button quick lens release • Digital keystone h/v and 3D Keystone™ technology • Suite of optional lenses • Easy menu navigation • Up to 13,000 hour AutoFilter • 360 degree on axis rotation • Built-in networking RJ45 • Expansion port for advanced networking module (CCM-LX) • Customized logo capture • 10 watt speaker • Mechanical shutter (light douser)	
Power requirements	operating voltage	• 100-120 VAC ±10% • 200-240 VAC ±10%
	operating current	• In rush: 30A (AC100V); 60A (AC276V) • Current: 5.2A (AC100V); 2.5A (AC200V)
	power consumption	• 488W max
	dissipation	• 1771 BTU/h max @ 100-120V • 1665 BTU/h max @ 200-240V
Dimensions	size	• Body with standard lens (LxWxH): 17.12 x 19.27 x 6.50" (434.8 x 489.5 x 164.0mm)
	shipping size	• (LxWxH): 22.90 x 26.81 x 12.52" (581.0 x 681.0 x 318.0mm)
	weight	• 21.6lbs (9.8kg) with standard lens
	shipping weight	• 35.1lbs (15.9kg)
Noise	• Standard mode: 35dBA • Eco mode: 29dBA	
Operating environment	• Operating temperature: 41-104°F (5-40°C) • Humidity (non-condensing): 20-80% • Altitude: 0-8858ft (0-2700m)	
Regulatory approvals	This product conforms to the following regulations related to product safety, environmental requirements and electromagnetic compatibility (EMC): • CISPR22/EN55022 • CISPR24/EN55024 • UL 60950-1 first edition • CAN/CSA C22.2. No 60950-1-03 first edition • IEC60950-1:2001	
Limited warranty	projector	• 3 years parts and labor
	lamp	• 500 hrs or 120 days (whichever comes first) • Contact an authorized Christie representative for full details of our limited warranty

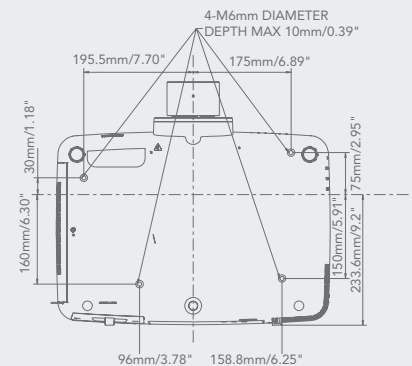
Performance specifications are typical and are subject to change  
<sup>1</sup>Actual range depends on lens used

### 3D Keystone technology



▲ Utilizing 3D Keystone™ technology, a four-corner geometry correction tool, you can quickly and easily align your image even in the most challenging environments.

### Bottom view



### Front view

